

SINGER
144W102

Form 2601w

1940

Printed in U. S. A.

LIST OF PARTS



MACHINE No. 144 w 102

THE SINGER MANUFACTURING COMPANY

From the library of: Diamond Needle Corp

INDEX

	Page
Accessories	15
Bobbin Winder	15
Foot Lifter and Starting Treadle	10
Machine No. 144w102	5
Numerical List of Parts	19

Copyright, U. S. A., 1939 and 1940
by The Singer Manufacturing Co.
All Rights Reserved for all Countries

From the library of: Diamond Needle Corp

INSTRUCTIONS FOR ORDERING

In ordering from this list, use ONLY the PART number in the FIRST column.

The number stamped on a Sewing Machine Part is the number of the Single Part only, except when the part includes Set Screws, Clamping Screws, Studs and Rollers Spun on, Small Wires riveted, or Parts soldered together, etc., which it is necessary to furnish in combination.

Every combination of parts sent out has its specific number which, although not stamped on Parts (except in above case), must be used when ordering the combination.

Each number always indicates the SAME PART in whatever list it appears, or for whatever Machine.

The letters after some of the numbers indicate the style of finish only, as follows:

- A. Hardened, Polished, Nickel Plated and Buffed.
- B. Polished, Nickel Plated and Buffed.
- C. Hardened only.
- D. Polished only.
- E. Soft, not polished.
- F. Hardened and Polished.
- H. Blued.
- J. Nickel Plated only.
- R. Merlized.
- X. Black Oxide.
- XC. Hardened and Black Oxide.
- Y. Blade Nickel only.

These letters MUST BE USED when they appear in the list and AFTER the number, as in the list.

In this series:

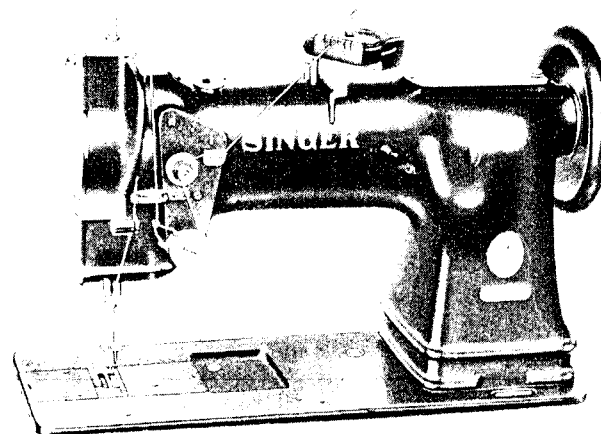
200001 to 201500 and 350001 to 351500 are Screw Numbers.
201501 to 201800 and 351501 to 351800 are Nut Numbers.
201801 to 202000 and 351801 to 352000 are Roller Numbers.
202001 to 350000 are Numbers of Machine Parts.

The figures in the second column refer only to the plate in which the illustration of the part is shown and are NOT TO BE USED in ordering.

Two or more numbers over a cut indicate that the difference between such parts is not visible in an illustration.

Parts marked with an asterisk (*) are furnished when repairs are made at the factory.

LIST OF PARTS COMPLETE FOR



MACHINE No. 144 w 102

Single Needle Lock Stitch Machine with Compound Feed and High Lift Alternating Pressers.

For Automobile Work, Tents, Awnings, Furniture Upholstering, Leather Coats, Etc.

Has a high arm with a working space of 10 inches to the right of the needle.

No.	Plate	Name
*204601	-----	Arm with two 240174
264640	16127	" Base, 1-1/2 in. high
204275	16127	" " Position Pin (2)
224002	16127	" Cap
200079H	16127	" " Screw
202248	16123	" " Washer
204235	16127	" Position Pin (2)
250290E	16127	" Screw (3)
202005	16127	" " Washer (3)
240107	16127	" Shaft with 200357E and 224792
264641	16123	" " Bushing (back) with 202244
202244	16123	" " " Oil Packing (wick)
200071E	16123	" " " Screw (3)
207080	16123	" " " (front) with 202244

No.	Plate	Name
202244	16123	Arm Shaft Bushing (front) Oil Packing (wick)
200502B	16123	Arm Shaft Bushing (front) Oil Packing Thumb Screw
200338C	16123	Arm Shaft Bushing (front) Set Screw
264602	16124	" " Connection Belt
224104	16124	" " " " Pulley with 200327C, 200602E and two 202253
200602E	16124	Arm Shaft Connection Belt Pulley Position Screw
200327C	16124	Arm Shaft Connection Belt Pulley Set Screw
202253	16124	Arm Shaft Connection Belt Pulley Spring Flange
224113	16125	Arm Shaft Connection Belt Timing Collar with 200113F
200113F	16125	Arm Shaft Connection Belt Timing Collar Set Screw
224139	16125	Arm Shaft Connection Belt Timing Plate
200164B	16125	" " " " " " Screw (2)
224392	16123	Arm Shaft Oil Packing (wick)
200357E	16123	" " " " Stop Screw
237577	16123	Balance Wheel (belt groove 4 in. diam.) with two 200338C
200338C	16123	Balance Wheel Position Screw
*264643	-----	Bed
264644	16125	" Block (for Hook Saddle)
200194E	16125	" " " " " Screw (2)
54897	16125	" Oil Cup
264603	16133	" Slide (back)
223811	16133	" " " Stop
223812	16133	" " " Spring
264604	16133	" " (front)
264645	16127	Bobbin
*265086	-----	" Case
264647	16127	" " Latch
*202056	-----	" " Pin
264648	16127	" " Plunger
264649	16127	" " Spring
264650	16127	" " Oiling Felt
265066	16128	" " Opener
265087	16128	" " Lever with 201349C, 201542C and 203101
201349C	16128	Bobbin Case Opener Lever Driving Screw Stud
201542C	16128	Bobbin Case Opener Lever Driving Screw Stud Nut

No.	Plate	Name
203101	16128	Bobbin Case Opener Lever Driving Screw Stud Oil Packing (wick)
265088	16128	Bobbin Case Opener Lever Hinge Stud with 202277
202277	16128	Bobbin Case Opener Lever Hinge Stud Oil Packing (wick)
200403C	16128	Bobbin Case Opener Lever Hinge Stud Set Screw
200387C	16128	Bobbin Case Opener Lever Hinge Stud Set Screw Check Screw
248251	16128	Bobbin Case Opener Lever Link
200118D	16128	" " " Screw
265089	16127	" " Tension Spring
200933F	16127	" " " " Regulating Screw
200597F	16127	" " " " Screw
265090	16127	Bobbin Case complete, Nos. 200597F, 200933F, 202056, 264647 to 264650, 265086 and 265089
265318	16133	Face Plate
202135	16133	" " Position Pin
200533B	16133	" " Thumb Screw
264633	16126	Feed Bar
264634	16126	" " Crank with 200363C and 200296C
200396C	16126	" " Position Screw
200363C	16126	" " Set Screw
350393C	16126	" " Hinge Screw (driving)
201518E	16126	" " " " Nut
264687	16134	" Dog, 38 elongated needle hole, for needle sizes 25 and 26
265100	16134	Feed Dog, 30 needle hole, for needle size 27, for use with thread larger than No. 12
201491E	16134	Feed Dog Screw (2)
264635	16124	" Driving Connection with 200049D and 202330
201171C	16124	Feed Driving Connection Hinge Screw
201517E	16124	" " " " " Nut
202277	16124	" " " " " Oil Packing (wick)
202330	16124	Feed Driving Connection Oil Packing (wick)
200049D	16124	Feed Driving Connection Pinch Screw
237521	16124	" " Eccentric Regulating Bracket
237043	16124	" " " " " " 237521 with 224108, two each 200256C and 201525E
224108	16124	Feed Driving Eccentric Regulating Bracket Flange with 200383C and 200437C

No.	Plate	Name
265044	16125	Hook Driving Shaft Lock Stud
248423	16125	" " " " " Cotter Pin
265045	16125	" " " " " Socket
248425	16125	" " " " " Spring
265046	16125	Hook Driving Shaft Lock Stud complete, Nos. 248423, 248425, 265044 and 265045
265095	16127	Hook Gib Section (long)
265096	16127	" " " (short)
201253F	16127	" " " Screw
265097	16127	" Needle Guard
200583H	16127	" " " Screw
223850	16128	" Saddle with 200009E
265098	16128	" " 223850 with 200264C, 200446C, 224019 and 265094
223681	16125	Hook Saddle Bearing
200363C	16125	" " " Set Screw
200383C	16125	" " " " " Check Screw
200009E	16128	" " Pinch Screw
200006E	16128	" " Screw
225585	16128	" " Washer
265099	16128	Hook Saddle complete, Nos. 200113E, 200387C, 200403C, 224022, 240167, 248251, 265066, 265087, 265088, 265093 and 265098
264607	16129	Lifting Bell Crank
200996C	16129	" " " Cap Screw
264608	16129	" " " Link
350172C	16129	" " " " " Screw Stud
201524E	16129	" " " " " " Nut
264609	16123	" Eccentric with 200382C and 200398C
264610	16129	" " Connection
240171	16129	" " " Crank with 200029E and 248821
248821	16129	Lifting Eccentric Connection Crank Oil Packing (wick)
200029E	16129	Lifting Eccentric Connection Crank Pinch Screw
200398C	16123	Lifting Eccentric Position Screw
200382C	16123	" " Set Screw
264611	16131	" Presser Foot
200074F	16131	" " " Screw
264615	16129	" Rock Shaft with 201524E and 350172C
240174	16129	Lifting Rock Shaft Bushing
264616	16130	Needle Bar with 200112F, 200583H and 264623
264617	16130	Needle Bar Connecting Link
264667	16130	" " " " Stud with 222598

No.	Plate	Name
222598	16130	Needle Bar Connecting Link Stud Oil Packing (wick)
200374C	16130	Needle Bar Connecting Link Stud Set Screw
200388C	16130	Needle Bar Connecting Link Stud Set Screw
265054	16130	Needle Bar Connecting Stud with 202330 and two 200086C
202330	16130	Needle Bar Connecting Stud Oil Packing (wick)
200086C	16130	Needle Bar Connecting Stud Pinch Screw
264619	16130	" " Crank with 200335C, 200374C, 200388C, 200428C and 264667
203172	16130	Needle Bar Crank Friction Washer
200428C	16130	" " " Position Screw
200387C	16130	" " " " " Check Screw
200375C	16130	" " " Set Screw
200385C	16130	" " " " " Check Screw
264620	16130	" " Rock Frame
210910	16130	" " " " Hinge Stud with 202277
202277	16130	Needle Bar Rock Frame Hinge Stud Oil Packing (wick)
200363C	16130	Needle Bar Rock Frame Hinge Stud Set Screw
200363C	16130	Needle Bar Rock Frame Hinge Stud Set Screw Check Screw
202666	16130	Needle Bar Rock Frame Position Bracket
200098F	16130	" " " " " " " " " " " "
264673	16129	Needle Bar Rock Frame Rock Shaft with 200387C and 210920
222692	16129	Needle Bar Rock Frame Rock Shaft Crank with 200029E
264633	16124	Needle Bar Rock Frame Rock Shaft Crank Connection with 202277
200833C	16124	Needle Bar Rock Frame Rock Shaft Crank Connection Hinge Screw
201522E	16124	Needle Bar Rock Frame Rock Shaft Crank Connection Hinge Screw Nut
202277	16124	Needle Bar Rock Frame Rock Shaft Crank Connection Oil Packing (wick)
200029E	16129	Needle Bar Rock Frame Rock Shaft Crank Pinch Screw
202668	16129	Needle Bar Rock Frame Slide Block
210920	16129	" " " " " " " 202668 with 201141C
201141C	16129	Needle Bar Rock Frame Slide Block Screw Stud

No.	Plate	Name
200387C	16129	Needle Bar Rock Frame Slide Block Screw Stud Set Screw
264623	16130	Needle Bar Thread Guide
200583H	16130	" " " " Screw
200112F	16130	" Set Screw
264690	16131	Presser Bar with 200074F
241535	16131	" " Bushing (lower)
207072	16131	" " " (upper)
200352C	16131	" " " Set Screw (2)
264625	16131	" " Lifting Bracket with 200032E
200975F	16131	" " " " Guide Screw
200032E	16131	" " " " Pinch Screw
264626	16131	" " Position Guide
264627	16131	" " " " Lever with 200086F
200086F	16131	Presser Bar Position Guide Lever Pinch Screw
200352C	16131	Presser Bar Position Guide Set Screw
265060	16133	" " Spring (auxiliary)
240172	16133	" " " (flat)
210949	16131	" " " Bracket with 200086C
200086C	16131	" " " " Pinch Screw
350381C	16133	" " " Regulating Screw
200224H	16133	" " " Support Screw
225004	16133	" " " " Washer
265032	16125	Safety Clutch Hook Driving Shaft Position Collar with two 201254C
201254C	16125	Safety Clutch Hook Driving Shaft Position Collar Set Screw
265056	16125	Safety Clutch Locking Lever
265050	16125	" " " " Connecting Link
350433C	16125	Safety Clutch Locking Lever Hinge Screw
265041	16125	" " " " Spring (for heavy duty)
200962C	16125	Safety Clutch Locking Lever Spring Adjusting Screw
200053C	16125	Safety Clutch Locking Lever Spring Screw
265036	16125	" " Pulley with 200962C and 202253
202253	16125	Safety Clutch Pulley Spring Flange
265057	16125	" " Throw-in Latch
265052	16125	" " " " Pin
265051	16125	" " " " Spring
265042	16125	Safety Clutch (for heavy duty) complete, Nos. 200053C, 265032, 265036, 265041, 265050 to 265052, 265056, 265057 and 350433C

No.	Plate	Name
264628	16130	Take-up Lever
264629	16130	" " Driving Stud with 202277
202277	16130	" " " " Oil Packing (wick)
202400	16130	Take-up Lever Hinge Stud with 202423
202423	16130	" " " " Oil Packing (wick)
200363C	16130	Take-up Lever Hinge Stud Set Screw
264674	16132	Tension Bracket with 200061C, 238089 and 350392C
200159F	16132	Tension Bracket Screw (2)
2102	16132	" Disc
32572	16132	" Release Disc
264675	16132	" " Lever
238089	16132	" " " Guide Pin
264676	16131	" " " Rod
200309E	16132	" " " Screw
264695	16132	" " Plunger
223438	16132	" Spring
350392C	16132	" Stud
1560C	16132	" Thumb Nut
264677	16132	Tension Bracket complete, Nos. 1560C, 32572, 200132E, 200309E, 201535E, 223438, 264674, 264675, 264678, 264681 to 264685, 264695, 265076, 265077, two 2102 and four 200583H
264678	16132	Thread Controller Disc
265076	16132	" " Spring
265331	16132	" " " (heavy), for use with thread larger than No. 12
265077	16132	Thread Controller Spring Stop
200132E	16132	" " " " Screw
264681	16132	" " " Stud with 201052C
200061C	16132	" " " " Set Screw
264682	16132	" " Stud
201052C	16132	" " " Set Screw
264683	16132	" " Thread Guide
201535E	16132	" " " " Nut
202412	16132	" Guide
264685	16132	" " (lower)
264684	16132	" " (upper)
200583H	16132	" " Screw
236955	16129	" Lubricating Cup with 200059C and 201280C
236957	16129	Thread Lubricating Cup Oil Pad (felt)
236959	16129	" " " " " (upper)
		Reinforcing Plate
201280C	16129	Thread Lubricating Cup Oil Pad (upper) Tension Screw Stud

No.	Plate	Name
222712	16129	Thread Lubricating Cup Oil Pad (upper) Tension Spring
201572B	16129	Thread Lubricating Cup Oil Pad (upper) Tension Thumb Nut
236961	16129	Thread Lubricating Cup Oil Pad (upper) complete, Nos. 236957 and 236959
200059C	16129	Thread Lubricating Cup Set Screw
236962	16129	" " Thread Guide
236963	16129	Thread Lubricating Cup complete, Nos. 201572B, 222712, 236955, 236961, 236962 and three 236957
210956	16132	Thread Retainer Bracket with 200397H
265335	16132	" " " Arm
200126F	16132	" " " " Screw (2)
200583H	16132	" " Screw (2)
210993	16132	" " Sleeve
223844	16132	" " Spring
210957	16132	" " Stud
210958	16132	" " " Collar
200397H	16132	" " " Set Screw
210959	16132	Thread Retainer complete, Nos. 210956 to 210958, 210993 and 223844
264693	16134	Throat Plate
742F	16134	" " Screw (2)
264630	16130	Vibrating Presser Bar
264631	16129	" " " Connecting Link
202277	16130	" " " Oil Packing (wick)
264614	16130	" " Foot, 30 needle hole, with 200086F, for 264611
264613	16130	Vibrating Presser Foot, 23 needle hole, with 200086F, for 264611, for use with thread larger than No. 12
200086F	16130	Vibrating Presser Foot Pinch Screw

ACCESSORIES

No.	Plate	Name
264645	16127	Bobbin (5)
*225482	-----	" Case Screw Driver Blade
*225483	-----	" " " " Handle
225497	13067	Bobbin Case Screw Driver complete, Nos. 225482 and 225483
7 x 3	16130	Needles, six, size 24
12361	16133	Bed Hinge Connection (2)
224121	16136	Drip Pan, 20 in. long, with four 1 in. wire nails
41400	13067	Machine Rest Pin (wood)
120342	13067	Oiler (copper plated) with 120343
120343	13067	" Spout (3-1/2 in. long)
*225484	-----	Screw Driver Blade
*225485	-----	" " Handle
225498	13067	Screw Driver complete (7-1/4 in. long), Nos. 225484 and 225485
225554	13067	Wrench (steel)

BOBBIN WINDER

(SWINGING AUTOMATIC, RIGHT HAND)

259435	16135	Bobbin Holder with 201188C
201188C	16135	" " Set Screw
259316	16135	Frame with 202277 and 225438
225454	16135	" Hinge Pin
202277	16135	" Oil Packing (wick)
225438	16135	" " Well Cap
225455	16135	" Spring
225456	16135	" " Plunger
202473	16135	Pulley with 200380C
200380C	16135	" Set Screw
259436	16135	Spindle
225444	16135	Stop Latch
200056E	16135	" " Screw
225458	16135	" " Thumb Lever
225459	16135	" " " Hinge Stud
225459	16135	" " " Joint Stud
202478	16135	" " Trip Lever
200299H	16135	" " " Hinge Screw
225461	16135	Tension Bracket with 201499B

From the library of: Diamond Needle Corp

No.	Plate	Name
200082D	16135	Tension Bracket Screw
228026	16135	" " " Washer
2102	16135	" Disc
202407	16135	" Spring
201499B	16135	" Stud
201572B	16135	" " Thumb Nut
225462	16135	Bobbin Winder Tension Bracket complete, Nos. 201572B, 202407, 225461 and two 2102
259328	16135	Bobbin Winder and Tension Bracket Base
259314	16135	Bobbin Winder complete, Nos. 200056E, 200082D, 200299H, 202477, 202478, 225444, 225454 to 225456, 225458, 225462, 228026 259316, 259328, 259435, 259436, two each 225459 and wood screws 5/4 in., No. 12, R. H. B.

FOOT LIFTER AND STARTING TREADLE

233565	16136	Foot Lifter Lever with two 356C
236787	16136	" " " Chain, 57 in. long, with two 202784
202784	16136	Foot Lifter Lever Chain Hook
356C	16136	" " " Set Screw
265315	16136	" " Treadle with 2718R, 14373 and 50581R
14373	16136	Foot Lifter Treadle Extension
50581R	16136	" " " " Screw
2718R	16136	" " " " " Washer
264531	16136	Starting Treadle with two 356C
202468	16136	" " Pitman Rod (lower)
204125	16136	" " " " (upper) with 202702
202302	16136	Starting Treadle Pitman Rod (upper) Cotter Pin
204126	16136	Starting Treadle Pitman Rod Clamp with two 200530C
200530C	16136	Starting Treadle Pitman Rod Clamp Set Screw
202469	16136	Starting Treadle Pitman complete, Nos. 202468, 204125 and 204126
356C	16136	Starting Treadle Set Screw
233568	16136	" " Shaft
264536	16136	" " Stand with two wood screws 1 in., No. 12

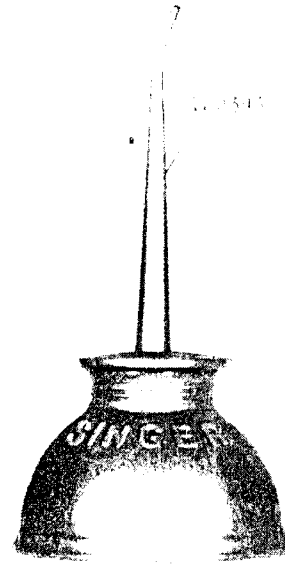
No.	Plate	Name
265317	16136	Foot Lifter and Starting Treadle com- plete, Nos. 202469, 233565, 233568, 236787 264531, 265315 and two 264536 (Other Foot Lifter parts are listed with parts of machine head)

Genuine Singer Needles should be used
in Singer Machines.
These Needles and their Containers
are marked with the
Company's Trade Mark "SIMANCO."

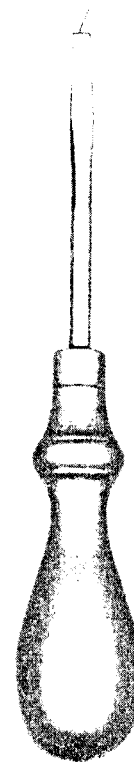
Needles in Containers marked
"For Singer Machines"
are not Singer made needles.

13067 - 1/2

120342



225493



225897



11000

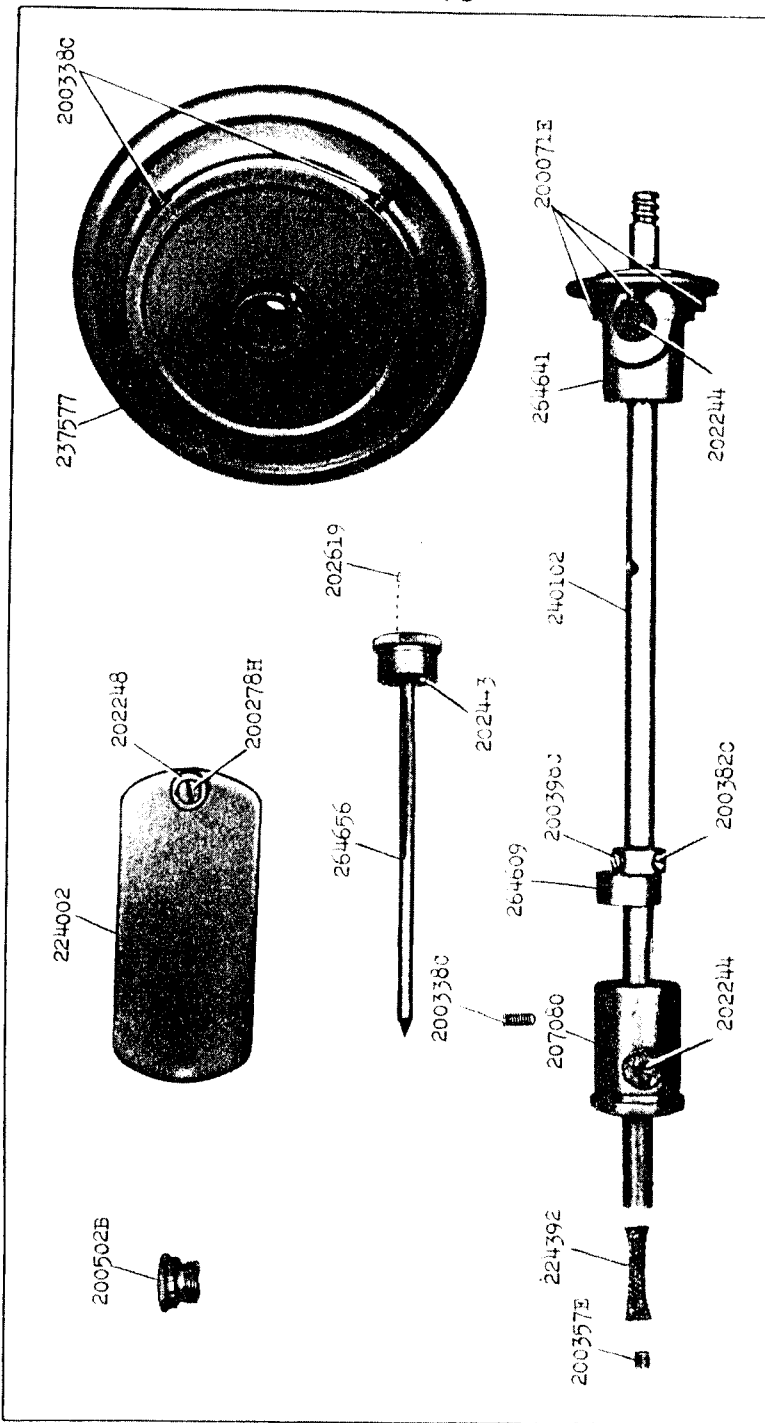


20370

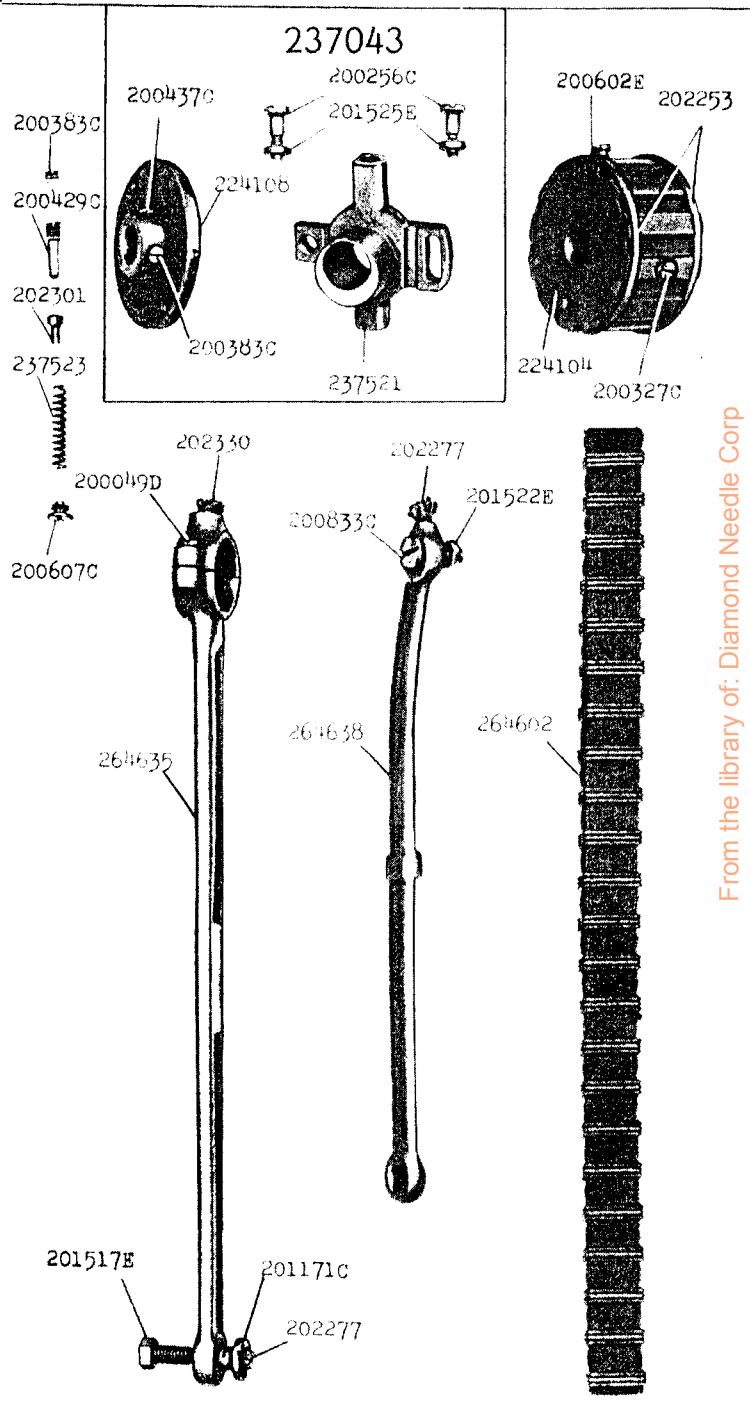


From the library of: Diamond Needle Corp

16123 - 1/3



16124 - 3/8



From the library of: Diamond Needle Corp

16127 - 3/4

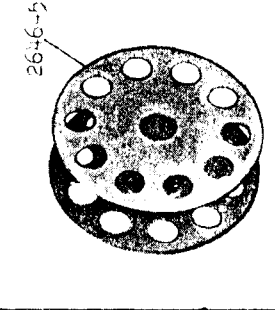
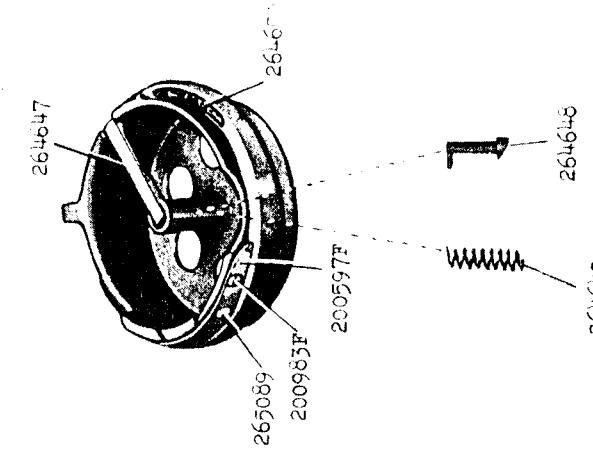
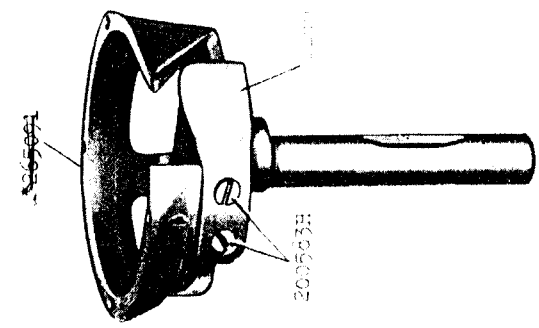
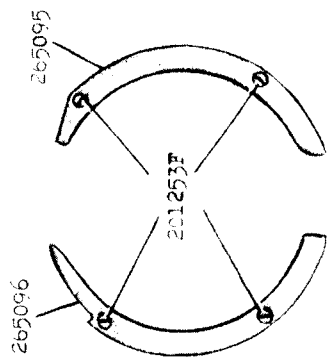
16128 - 5/8

76V361

265093

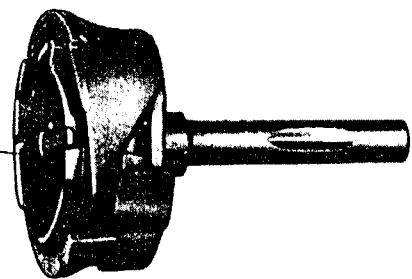
265092 776V360

265090



265099

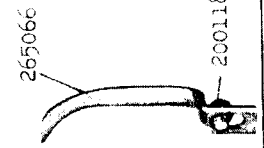
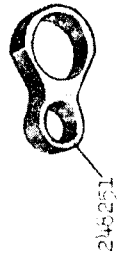
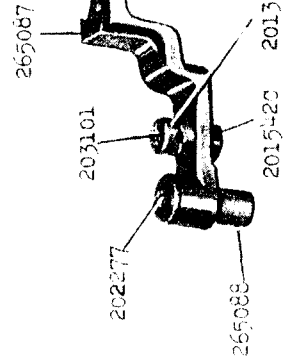
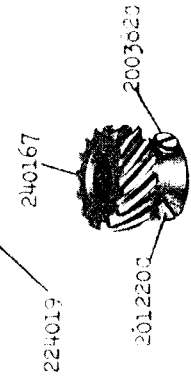
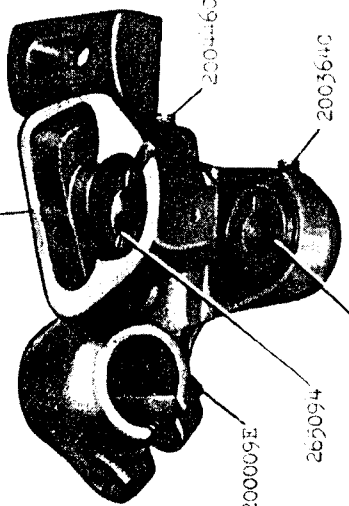
265093



200387C
200403C

265098

223850

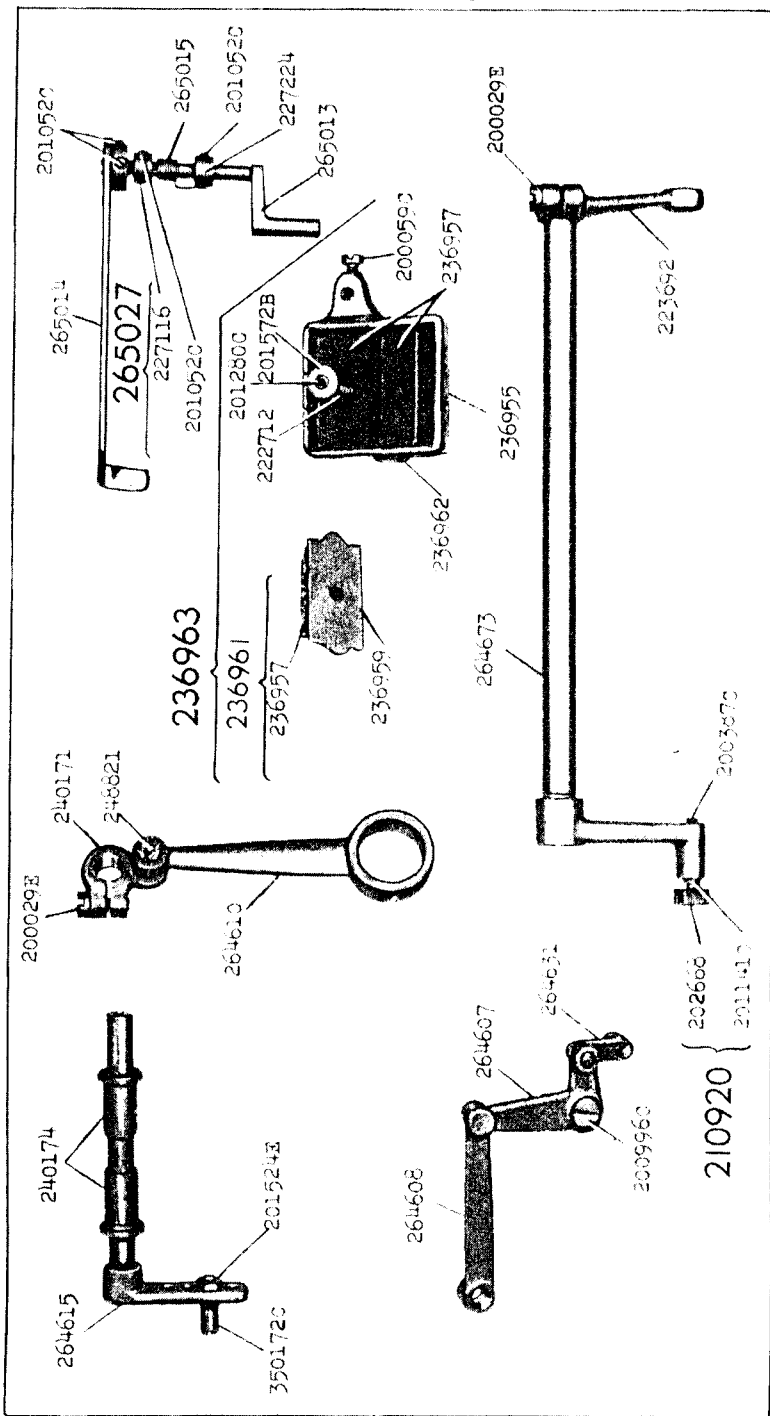


200006E

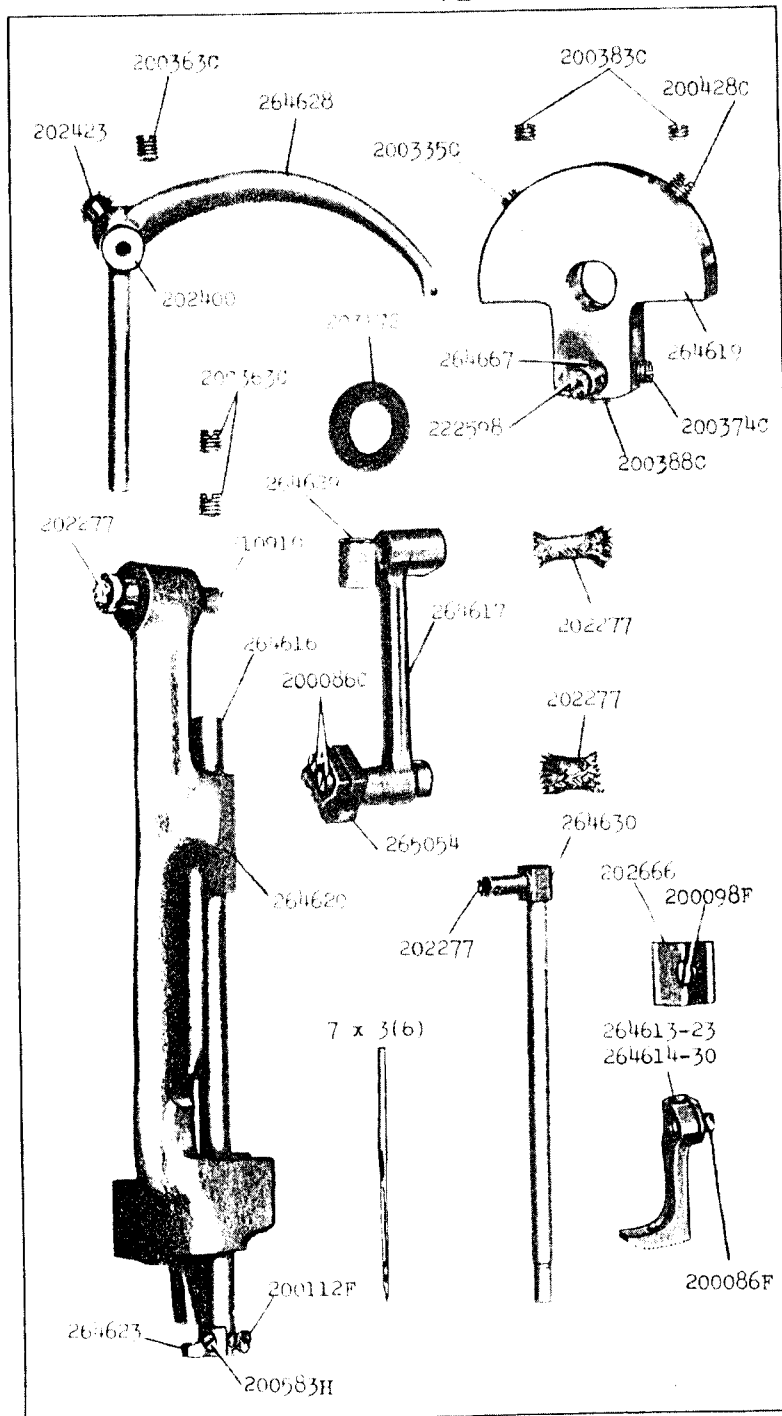
225585

From the library of: Diamond Needle Corp

16129 - 1/3

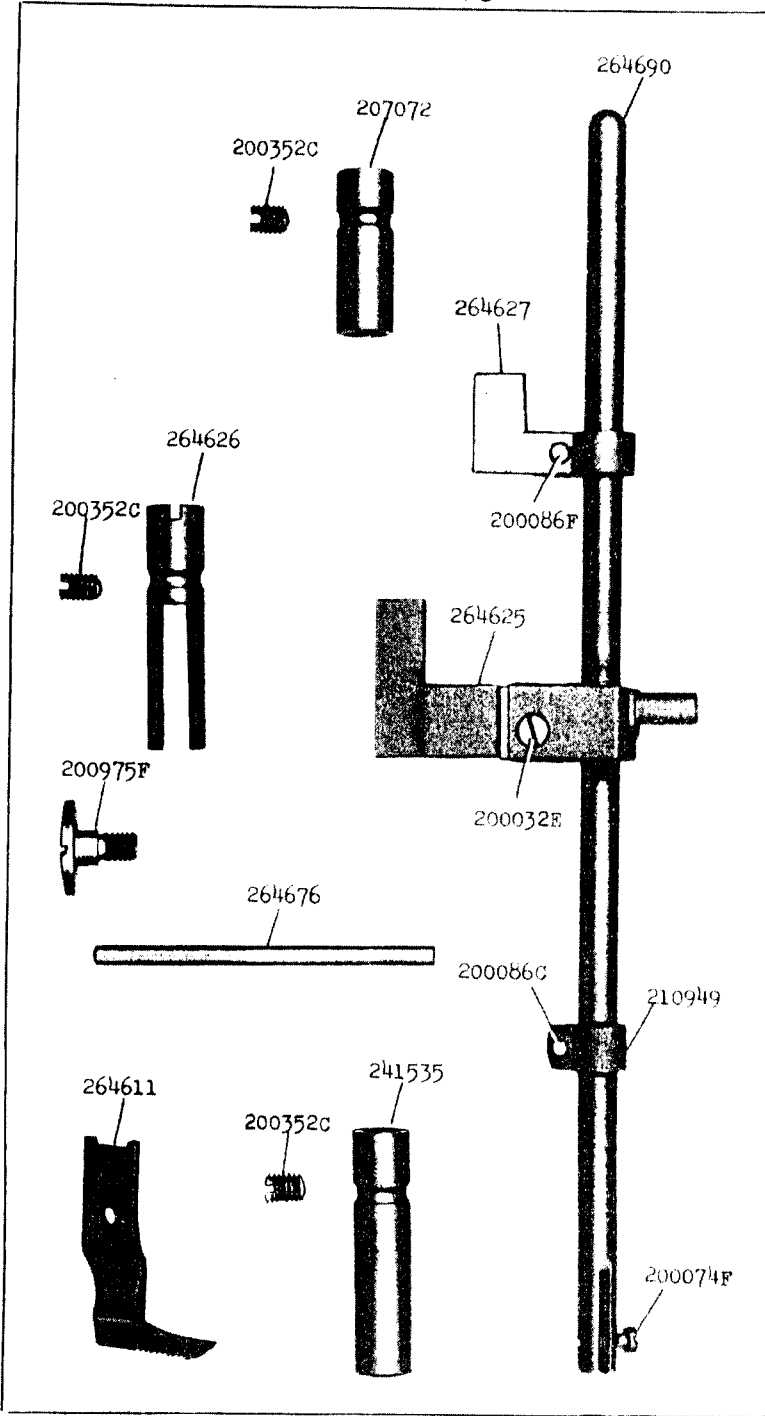


16130 - 1/2

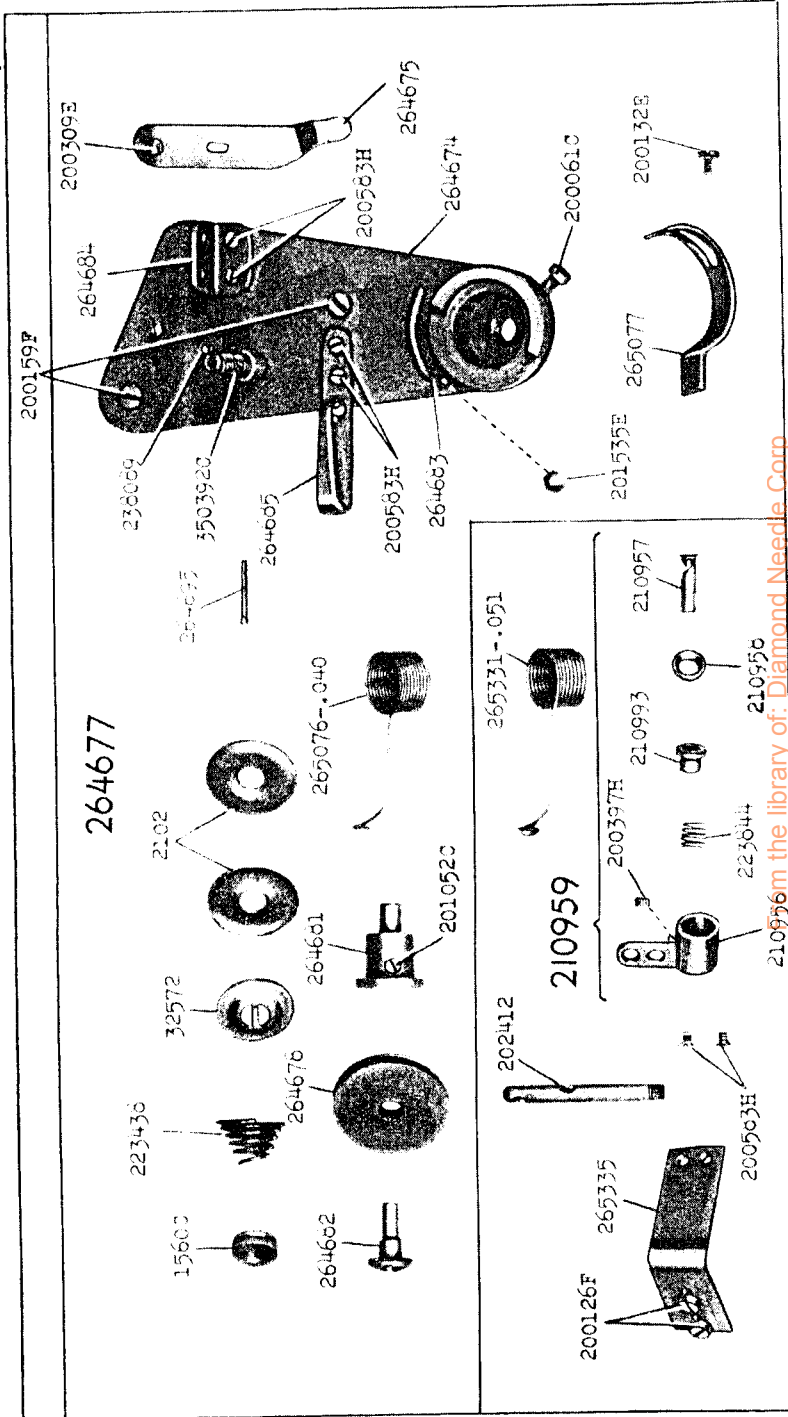


From the library of: Diamond Needle Corp

16131 - 5/8

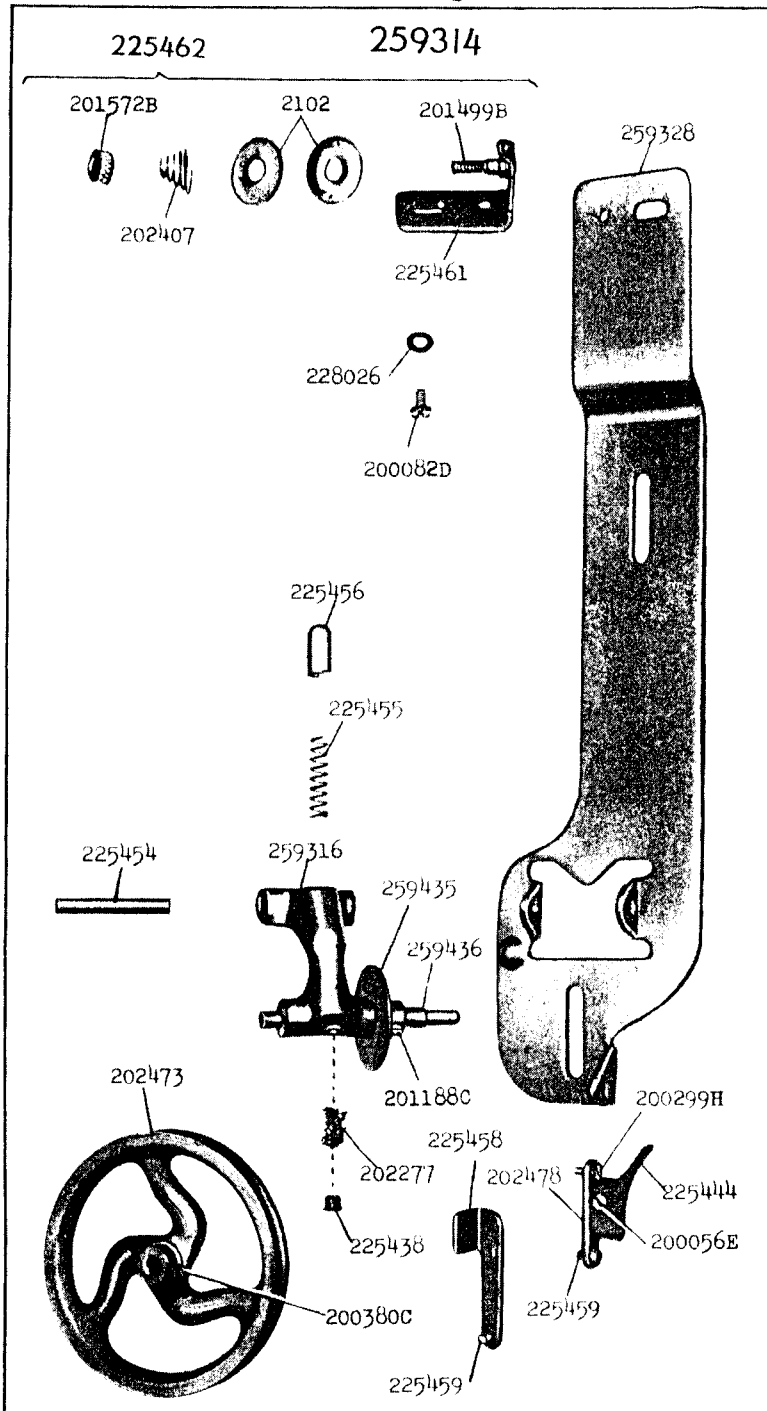


16132 - 1/2

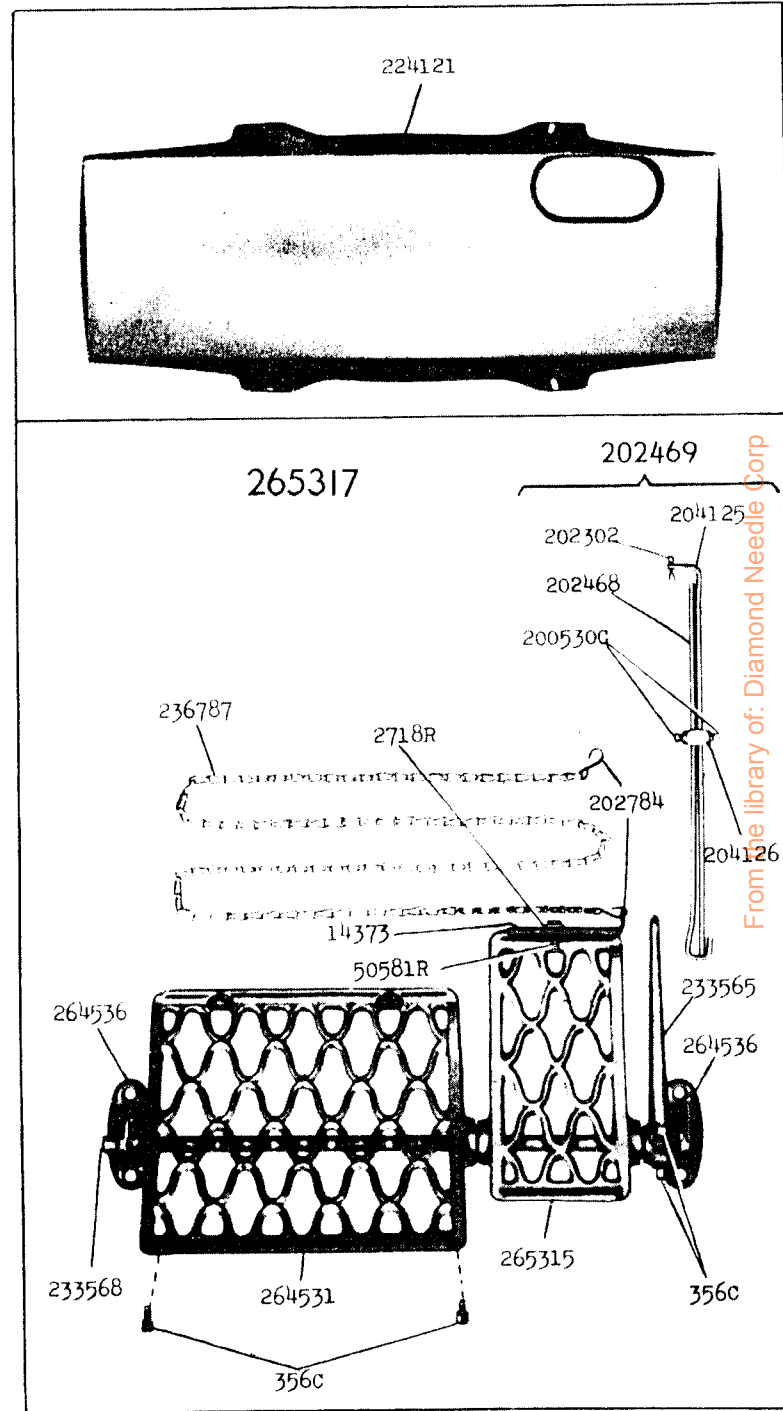


210958m the library of: Diamond Needle Corp

16135 - 3/8



16136 - 1/6



From the library of: Diamond Needle Corp